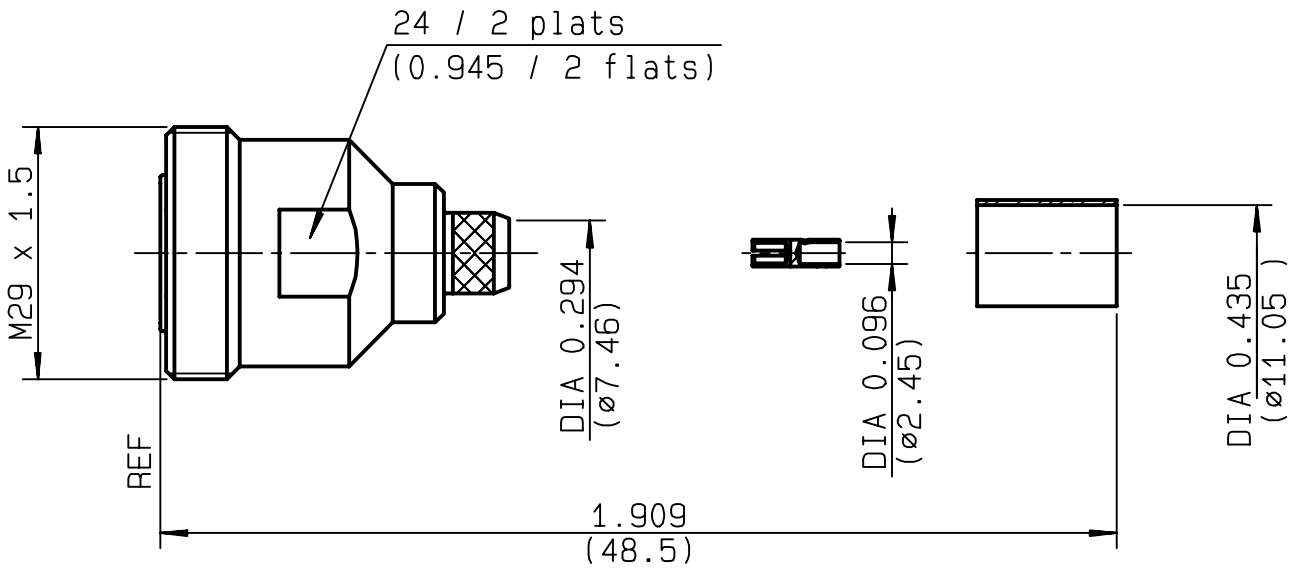


**STRAIGHT JACK CRIMP TYPE  
CABLE 10/50 S**

**R185.234.000**  
**SERIES 7-16**



NOMINAL IMPEDANCE	<b>50</b> Ω
FREQUENCY RANGE	<b>0-7.5</b> GHz
TEMPERATURE RATING	<b>-55/+155</b> °C
V.S.W.R	<b>1.20</b> + x F(GHz)Maxi
RF INSERTION LOSS	<b>0.05</b> √F(GHz) dB Maxi
VOLTAGE RATING	<b>1400</b> Veff Maxi
DIELECTRIC WITHSTANDING VOLTAGE	<b>2700</b> Veff Mini
INSULATION RESISTANCE	<b>10000</b> MΩMini
HERMETIC SEAL	<b>NA</b> Atm.cm <sup>3</sup> /s
LEAKAGE (pressurized only)	<b>NA</b>
MECHANICAL DURABILITY	<b>500</b> Cycles
WEIGHT	gr
SPECIFICATION	

CABLES : <b>KX 4</b>
<b>RG 213</b>
<b>RG 393</b>
OTHERS CHARACTERISTICS
<b>ROS : 1.10 a 3 GHz</b>
CABLE RETENTION <b>250</b> N Mini
CENTER CONTACT RETENTION
Axial force - mating end <b>200</b> N Mini
Axial force - opposite end <b>100</b> N Mini
Torque <b>NA</b> cm.N Mini
RECOMMENDED TORQUES
Mating <b>NA</b> cm.N
Panel nut <b>NA</b> cm.N
Clamp nut <b>NA</b> cm.N

CONNECTOR PARTS	MATERIALS	FINISH	(all values are given in micrometers)
BODY	BRASS	BBR 0.5 OVER SILVER 3	
OUTER CONTACT	BRASS	SILVER 5 OVER COPPER 0.5	
CENTER CONTACT	BERYLLIUM COPPER	SILVER 5 OVER COPPER 0.5	
INSULATOR	PTFE	-	
GASKET	-	-	
OTHERS PIECES	BRASS	BBR 2	

ISSUE	CREATION DATE	FILE PART-NUMBER
<b>9944D00</b>	<b>18/05/1994</b>	<b>EPC96-02</b>



**RADIALL®**

GAUTIER

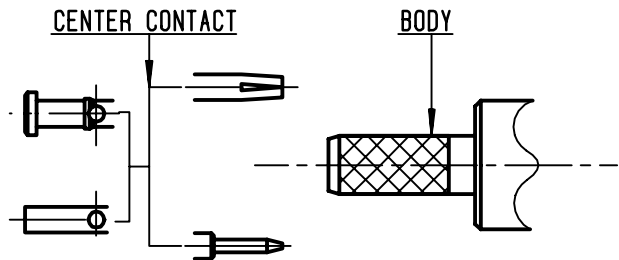
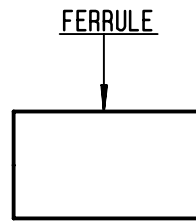
The information given here is subject to change without notice.  
Design changes may be in order to improve the product .

*Connect to the future*



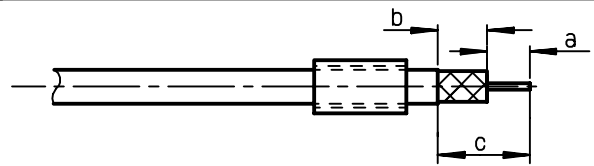
**R185.234.000**

ISSUE **9944D00** SERIES **7-16**



①

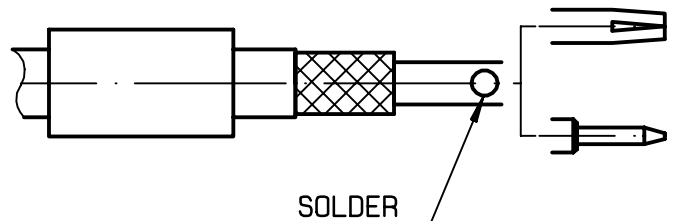
Slide the ferrule onto the cable.  
Strip the cable.  
-  
-



Stripping	a	b	c	d	e
inch	0.177	0.295	0.472	0	0
mm	4.5	7.5	12		

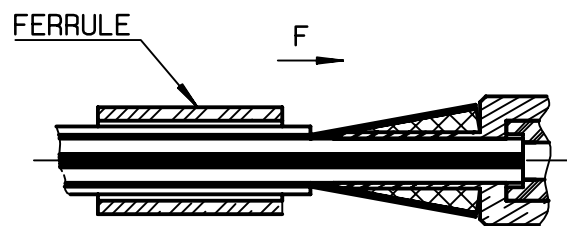
②

Slide the center contact on until it bottoms against cable dielectric.  
Solder center contact.  
-  
-  
-



③

Fan the braid.  
Slide cable into body until it bottoms.  
Slide ferrule over the braid.  
(In direction F)



④

Crimp the ferrule with crimping tool R 282 231 000 ( Hex. : 0.415 ) or crimping tool R 282 293 000 (M22520/5-01) and dies R 282 235 116 (Y 116 DANIELS)  
Cut the excess of braid if necessary.  
-  
-  
-  
-

